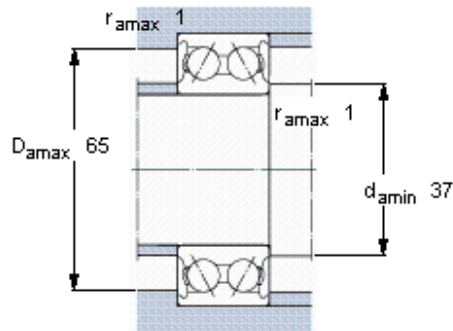
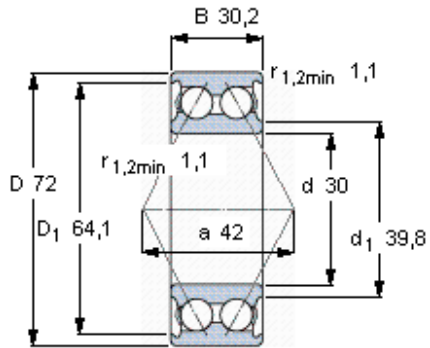


Angular contact ball bearings, double row

| Principal dimensions |    |      | Basic load ratings |              | Speed ratings   |                | Designation                   |
|----------------------|----|------|--------------------|--------------|-----------------|----------------|-------------------------------|
| d                    | D  | B    | dynamic<br>C       | static<br>C0 | Reference speed | Limiting speed |                               |
| mm                   |    |      | kN                 |              | r/min           |                | <b>* SKF Explorer bearing</b> |
| <b>30</b>            | 72 | 30,2 | 41,5               | 27,5         | 9000            | 9000           | <b>3306 A *</b>               |



**Calculation factors**

- k<sub>r</sub> 0,07
- e 0,8
- X 0,63
- Y<sub>1</sub> 0,78
- Y<sub>2</sub> 1,24
- Y<sub>0</sub> 0,66